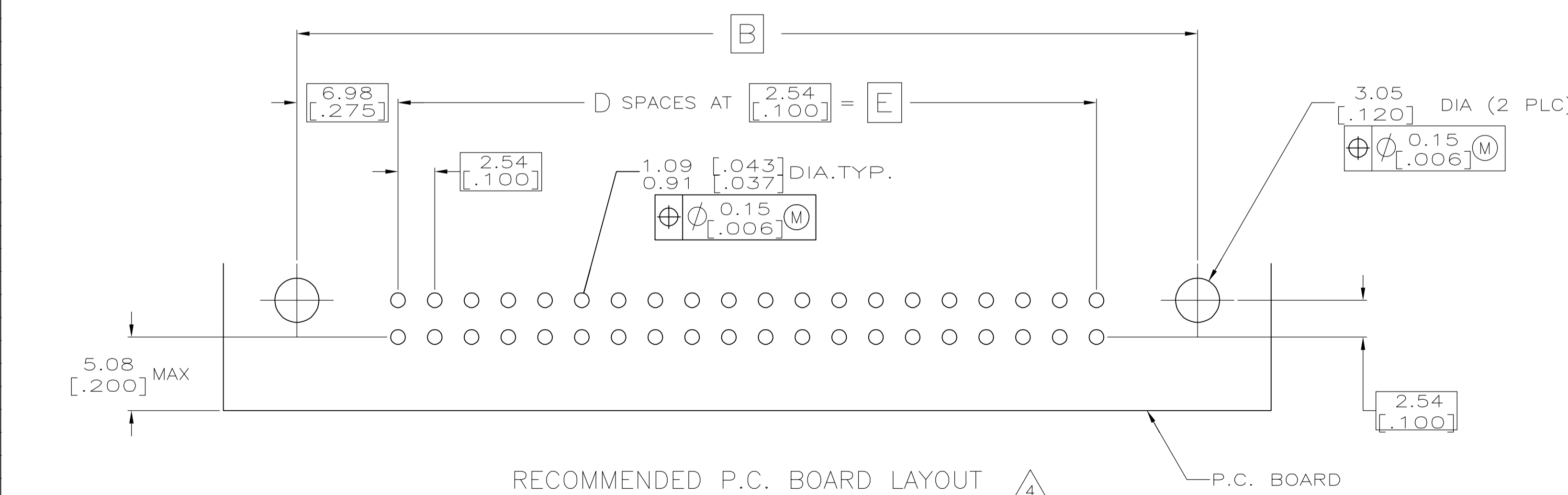
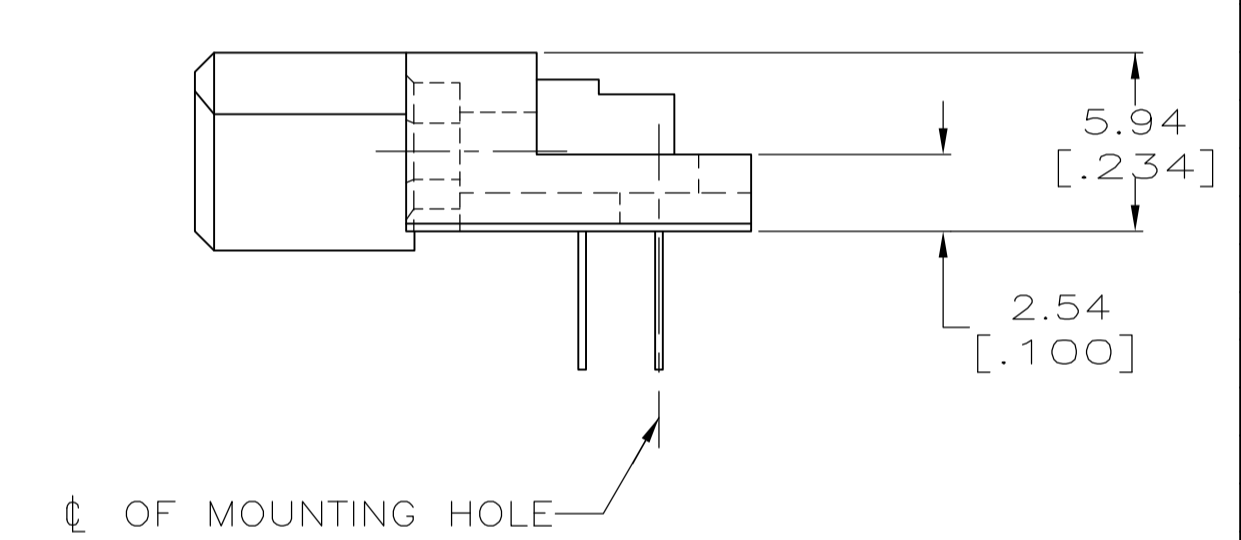
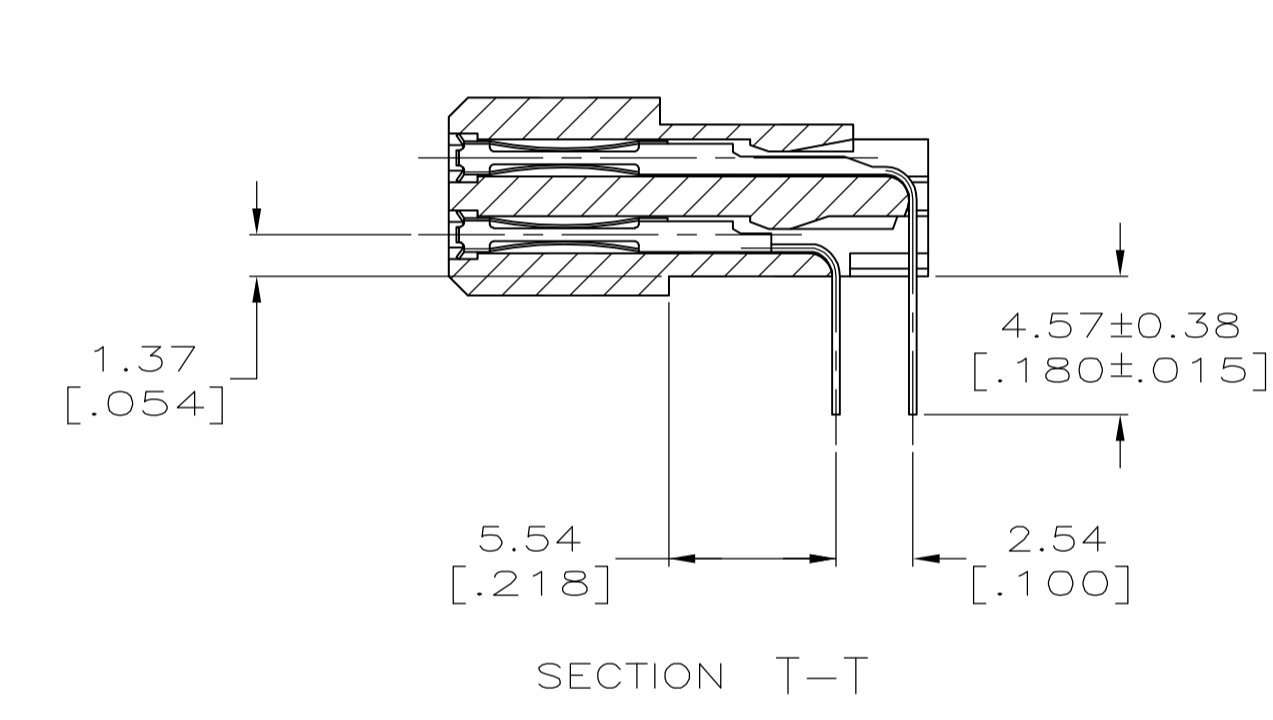
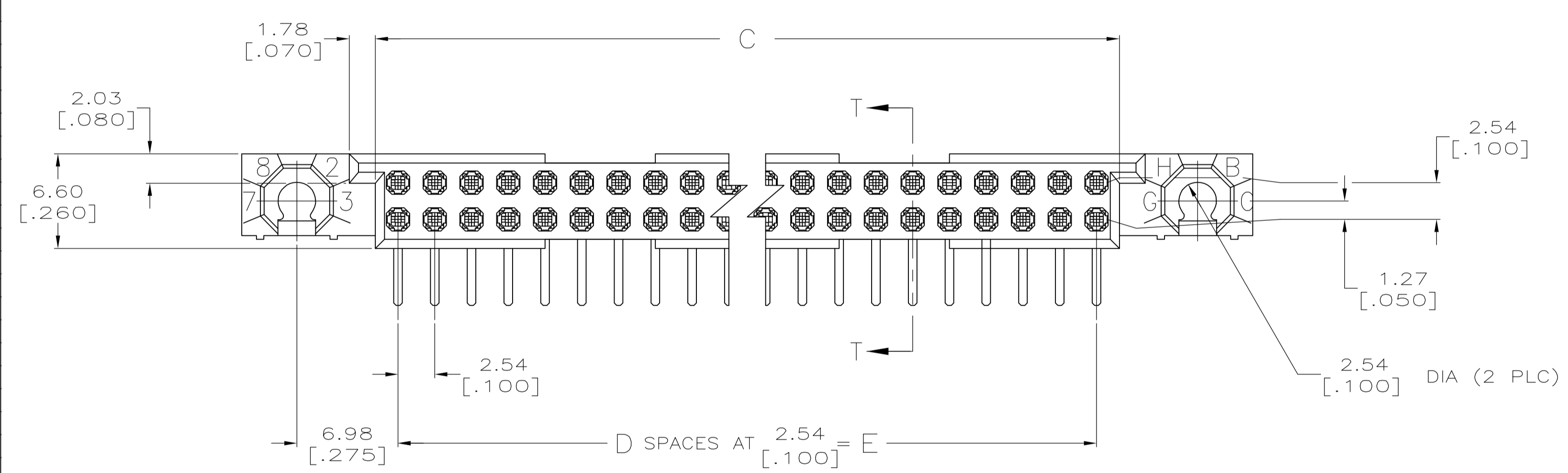


- ① HOUSING MATERIAL: THERMOPLASTIC.
- ② CONTACT MATERIAL: COPPER ALLOY.
- ③ CONTACT FINISH: .00127-.00254 [.000050-.000100] NICKEL UNDERPLATE ALL OVER; .00076 [.000030] GOLD PLATE IN CONTACT AREA, TIN PLATED SOLDER TAILS.
- ④ SOLDER TAILS MUST FIT HOLE PATTERN AS SHOWN ON THE RECOMMENDED P.C. BOARD LAYOUT.
- 5. DIMENSIONS IN BRACKETS ARE IN INCHES.
- ⑥ HOUSINGS WITH CENTER MOUNTING IS RECOMMENDED FOR ASSEMBLIES HAVING 75 CONTACTS PER ROW OR MORE.
- ⑦ QUANTITIES OF VOID CORING ARE DEPENDENT ON THE POSITION SIZE OF THE HOUSING.



⑥	226.06 [8.900]	89	229.21 [9.024]	240.03 [9.450]	247.65 [9.750]	180	1-5532428-8
⑥	200.66 [7.900]	79	203.81 [8.024]	214.63 [8.450]	222.25 [8.750]	160	1-5532428-6
⑥	251.46 [9.900]	99	254.61 [10.024]	265.43 [10.450]	273.05 [10.750]	200	1-5532428-5
⑥	187.96 [7.400]	74	191.11 [7.524]	201.93 [7.950]	209.55 [8.250]	150	1-5532428-4
	149.86 [5.900]	59	153.01 [6.024]	163.83 [6.450]	171.45 [6.750]	120	1-5532428-1
	137.16 [5.400]	54	140.31 [5.524]	151.13 [5.950]	158.75 [6.250]	110	1-5532428-0
	124.46 [4.900]	49	127.61 [5.024]	138.43 [5.450]	146.05 [5.750]	100	5532428-9
	99.06 [3.900]	39	102.21 [4.024]	113.03 [4.450]	120.65 [4.750]	80	5532428-7
	86.36 [3.400]	34	89.51 [3.524]	100.33 [3.950]	107.95 [4.250]	70	5532428-6
	73.66 [2.900]	29	76.81 [3.024]	87.63 [3.450]	95.25 [3.750]	60	5532428-5
	60.96 [2.400]	24	64.11 [2.524]	74.93 [2.950]	82.55 [3.250]	50	5532428-4
	48.26 [1.900]	19	51.41 [2.024]	62.23 [2.450]	69.85 [2.750]	40	5532428-3
	22.86 [.900]	9	26.01 [1.024]	36.83 [1.450]	44.45 [1.750]	20	5532428-1
	E	D	C	B	A	POSN	PART NUMBER

THIS DRAWING IS A CONTROLLED DOCUMENT.

DIMENSIONS: mm [INCHES]	TOLERANCES UNLESS OTHERWISE SPECIFIED:	DIN J. POLIGNONE 10JUN05	tyco Electronics Tyco Electronics Corporation Harrisburg, Pa 17105-3608
0 PLC ± -	0.15 ± 0.13[.005]	CIK A. SHARPE 10JUN05	NAME ASSEMBLY, RECEPTACLE, RIGHT ANGLE, HDI, LEAD-FREE, 2 ROW WITHOUT GUIDE, 4.57[.180] SOLDER POSTS
1 PLC ± -	0.15 ± -	APVD A. SHARPE 10JUN05	SIZE CASE CODE DRAWING NO RESTRICTED TO
2 PLC ± -	0.15 ± -	PRODUCT SPEC	A1 00779 C=5532428 -
3 PLC ± -	0.15 ± -	APPLICATION SPEC	SCALE 4:1 SHEET 1 OF 1 REV A
4 PLC ± -	0.15 ± -	WEIGHT	CUSTOMER DRAWING
ANGLES ± -	0.15 ± -		